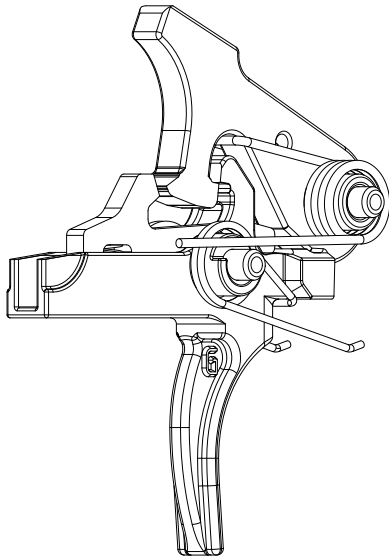


GEISSELE[®]

AUTOMATICS

We Manufacture Confidence[®]



SUPER TRICON

SUPER T TRIGGER

Installation Instructions

READ THIS FIRST

Firearm safety is **YOUR** responsibility. You must memorize and put into practice the 4 Rules of Firearm Safety:

1. **ASSUME EVERY WEAPON IS LOADED.**
2. **KEEP YOUR FINGER OFF THE TRIGGER UNTIL YOU ARE READY TO SHOOT.**
3. **DO NOT LET THE MUZZLE POINT AT ANYTHING YOU ARE NOT WILLING TO DESTROY.**
4. **KNOW YOUR TARGET AND WHAT IS BEYOND.**

The Super TRICON is a non-adjustable combat trigger very similar to the Geissele SSA trigger. The main difference is the unique trigger bow profile that was suggested by Jeff Gonzales of Trident Concepts. The Super T bow starts out curved and then becomes straight. The face of the bow is curved like an M4 trigger but the surface is grooved and roughened.

The Super TRICON Trigger will lighten the trigger pull relative to a standard trigger. This lightened trigger pull will make the firearm easier to discharge. You must recognize and accept this fact before installing this trigger. If you do not want a lighter than standard trigger pull or are not willing to accept responsibility for the safety of your firearm, yourself, and those around you, do not install this trigger.

Geissele Automatics recommends installation by a certified gunsmith only

INSTALLATION INSTRUCTIONS

1. Unload rifle and make safe. Remove upper receiver assembly. Move safety selector to FIRE position before removing existing trigger.
2. Remove existing trigger and clean receiver. It is not necessary to remove the safety, however the safety selector must be in the FIRE position so the Super T will fit underneath the safety selector.
3. Remove the trigger pin from the trigger and replace with the slave pin to hold the disconnecter in place.
4. Install trigger and slave pin into rifle. Align slave pin with receiver pin holes. Insert trigger pin into receiver, through trigger/disconnector, and into receiver on opposite side.
Do not force the trigger pin into place. The pin is a slide fit into the receiver, trigger and disconnecter. If the various components are not aligned, manually align them when looking through the opposite side of the pin hole.
5. Remove hammer pin from hammer. Place a drop of lubricant in the bore of the hammer pivot.
Check to be sure the hammer spring is installed correctly on the hammer (the hammer spring is already installed at the Geissele factory but if a used trigger is being installed the hammer spring may have been removed at some point in time). It is possible to install the hammer spring backwards so this must be checked by comparing with the picture of the hammer spring on the reverse side this page
6. Install hammer into receiver with hammer spring legs **on top of the trigger pin**. Insert hammer pin into receiver, through hammer, and into receiver on opposite side .
7. Apply a small amount of lubricant in the following locations as shown on reverse side this page:
 - a. Each side of the disconnecter above the trigger pin
 - b. Hammer and trigger sears
 - c. Face of the disconnecter
 - d. Hammer tail where it contacts the disconnecter;
 - e. Top of each side of the hammer spring where the spring contacts the receiver wall.
8. Check safety operation: With the hammer cocked and the safety selector set to the SAFE position, pull the trigger hard. The hammer should not fall.
9. Check trigger reset: Set safety selector to FIRE. Dry fire weapon and keep trigger held back. Pull charging handle all the way back and release, letting the bolt carrier snap forward. The hammer should not fall. Release trigger. Hammer should be caught by the trigger.
10. Check for the presence of a second stage: Set the safety selector to FIRE. Pull the trigger through the first stage until it comes to a distinct stop—this is the second stage. Applying additional pressure to the trigger will allow the weapon to discharge.

Maintenance of the Super T consists of occasionally placing a drop of lubricant on the locations shown in #7 above. Recommended lubricant is CLP or equivalent; alternatively a high quality grease may be used on the trigger/hammer sears and disconnecter contact surfaces.

When the trigger and lower receiver well become very dirty (such as when firing with a suppressor), it is not always necessary to remove the trigger group for cleaning. Spray down the trigger group with electrical contact cleaner to remove residual oil and dirt. Next, use compressed air to blow off the trigger group and then flush liberally with a light lubricant as CLP or equivalent. Blow off excess lubricant with compressed air and lubricate as noted above.

Thank You For Your Purchase.

Contact Geissele Automatics with any questions.

GEISSELE AUTOMATICS • 800 NORTH WALES RD • NORTH WALES, PA 19454

TEL: 610-272-2060 | FAX: 610-272-2069

E-MAIL: INFO@GEISSELE.COM | WEB: WWW.GEISSELE.COM

PATENTS: WWW.GEISSELE.COM/PATENTS

GEISSELE AUTOMATICS SUPER T INSTRUCTIONS REVISION 11 - 04/23/15

GEISSELE[®]

AUTOMATICS

SUPER TRICON (SUPER T)

For the M16/M4/AR15/AR10 weapon family
U.S. Pat. 7,600,338

