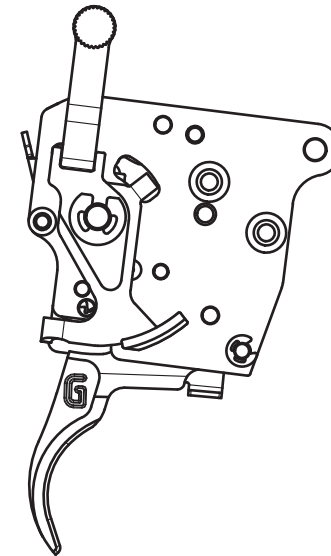


GEISSELE[®] AUTOMATICS

We Manufacture Confidence[®]



SUPER 700 TRIGGER **2-STAGE MODEL** Installation Instructions

READ THIS FIRST

Firearm safety is **YOUR** responsibility. You must memorize and put into practice the 4 Rules of Firearm Safety:

- 1. ASSUME EVERY WEAPON IS LOADED.**
- 2. KEEP YOUR FINGER OFF THE TRIGGER UNTIL YOU ARE READY TO SHOOT.**
- 3. DO NOT LET THE MUZZLE POINT AT ANYTHING YOU ARE NOT WILLING TO DESTROY.**
- 4. KNOW YOUR TARGET AND WHAT IS BEYOND.**

TOOLS NEEDED

- Appropriately sized hex key(s) or screw driver to remove the action from the stock.
- 3/32 diameter drift punch
(McMaster Carr P/N: 3420A2)
- Appropriately sized hammer.
- Trigger weight pull gauge
(Wheeler[®] Professional Digital Trigger Gauge, P/N: 710904)
- 1/16 non-ball end hex key. It is recommended this hex key is in new condition and not worn.
(McMaster Carr P/N: 7122A14)
- Needle nose pliers.

GEISSELE SUPER 700 TRIGGER SYSTEM

The S700 Trigger will lighten the trigger pull relative to a standard trigger. This lightened trigger pull will make the firearm easier to discharge. You must recognize and accept this fact before installing this trigger. If you do not want a lighter than standard trigger pull or are not willing to accept responsibility for the safety of your firearm, yourself, and those around you, do not install this trigger.

The Geissele S700 Trigger System is a high performance trigger designed to be used in the Remington 700 Rifle Series.

The following procedures must be performed by a qualified Gunsmith or Armorer familiar with the Remington 700 Rifle System. Pull weights must be verified prior to use.

This trigger is capable of 2 stage operation, is adjustable for trigger pull weight, sear engagement and over-travel. Installation is designed to be drop-in with all Remington 700 actions and stock cutouts. However, due to the high number of configurations on the market, it is possible there are combinations which may require modification to the stock for proper trigger or safety function. Your trigger has been pre-configured at the factory for 2 stage operation. These instructions only pertain to a 2 stage trigger model. For [conversion instructions](#) between 2 stage and single stage modes please refer to the tech section of our website at geissele.com/S700Setup

INSTALLING THE GEISSELE SUPER 700 TRIGGER SYSTEM

1. Unload and make safe the firearm.
2. Remove the action from the stock and the bolt from the action. Turn the action upside down with the muzzle facing away from you.
3. Using an appropriate sized punch and hammer drive the front retaining pin out of the action from right to left far enough to clear the trigger well and allow the stock trigger to be removed. Drive the rear retaining pin from left to right in the same way.
4. If the bolt release is not required on the S700 trigger it can be removed by flexing the end of the lever outward and rotating it to clear the trigger bow. It can then be rotated around to allow it to come off its retention peg. The lever will require some force to flex and recommend the trigger bow is protected from scratches with tape or other suitable material.
5. Place the safety selector on the Geissele Super 700 trigger system in the safe position, fully rearward, to allow the safety lever to clear the rear retaining pin. Place the Geissele Super 700 Trigger System in the action in the proper orientation.

6. While maintaining alignment of the trigger in the action, lightly tap the two retaining pins into the trigger mechanism until pins are properly seated.
7. Install the bolt into the action.
8. Perform a function check of the rifle. Ensure that pulling the trigger releases the striker, cycling the bolt quickly resets the striker, and that the safety is functional.
9. Depress the bolt release lever and verify the rocker actuates without binding.
10. If binding is present use needle nose pliers to slightly bend the tab on the bolt release to align the tab with the notch in the bolt release rocker lever (See Figure 1).

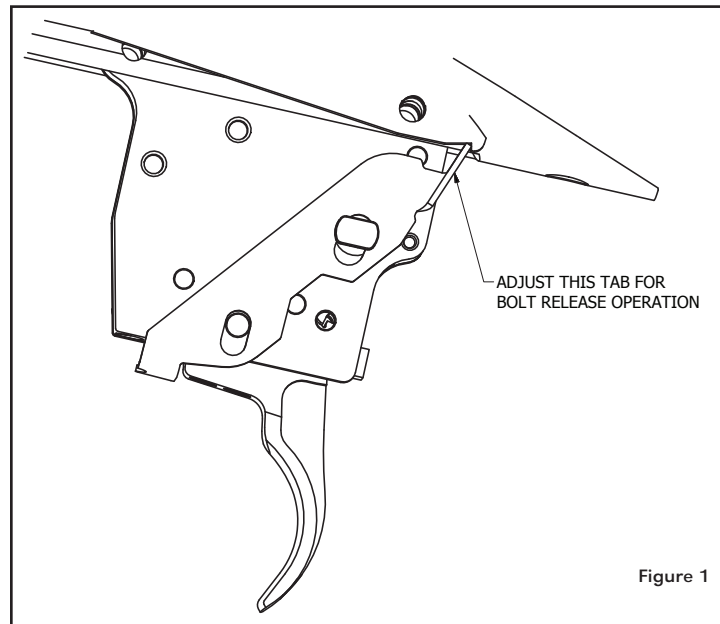


Figure 1

11. Install the action into the stock according to manufacturers' instructions while verifying there is no interference with the trigger. Perform function check again of the Super 700 trigger and bolt. Pay careful attention to the safety mechanism to make sure there is no rubbing or binding.

The Geissele Super 700 2 Stage Trigger System is set from the factory with a 2 ½ lb. pull weight. In the 2 stage configuration the first stage is set at 1 ¾ lb. with a ¾ lb. second stage. Unless there's a specific requirement for a different trigger pull weight, or sear engagement, we recommend the trigger is left in the factory configuration.

2 STAGE ADJUSTMENT

The Geissele Super 700 trigger in 2 Stage Configuration has the following 4 points of adjustability (See Figure 2).

- A. Trigger Weight Adjustment Screw - Adjusts overall trigger pull weight. Turning this screw in, clockwise, increases overall weight. Turning it out, counter-clockwise, reduces overall weight. Limits of adjustment from factory configuration: 2 turns in clockwise, 1 turn out counter-clockwise. 1 turn will alter the weight approximately 7 ounces.

- B. Second Stage Engagement Screw - Adjusts second stage sear engagement. Turning this screw in clockwise, reduces engagement, turning it out counter-clockwise, increases engagement. 8 degrees is the max adjustment in either direction (See Figure 2).

- C. Adjustment Screw for a Single Stage Trigger - **DO NOT MOVE THIS SCREW.**

- D. Trigger Over Travel Screw - Limits trigger motion after sear release. Turning this screw in clockwise, will reduce travel. Turning it out counter-clockwise, increase travel. Limits of adjustment from factory configuration: 1/16 turn in clockwise, 1/8 turn out counter-clockwise. If this screw is turned in clockwise too far, the striker will not fall.

- E. 2nd Stage Weight Screw - Adjusts 2nd stage weight. Turning this screw in clockwise, increases second stage weight. Turning this screw out counter-clockwise, reduces second stage weight. Limits of adjustment from factory configuration: 3 turns in clockwise, 1/2 turn out counter-clockwise.

If you prefer a higher trigger pull weight, or are using this trigger for Hunting, Law Enforcement or Military use, turn Screw A in clockwise, 1 ½ turns and turn Screw E in clockwise, 2 turns. This will yield a 3 ½ lb. trigger pull with a 2 ½ lb. first stage and 1 lb. second stage.

Keep in mind that a little adjustment goes a long way when adjusting the Geissele Super 700 Trigger System. All adjustments should be kept to very small increments. There are factory default orientation marks laser engraved, off center, on the bottom of the trigger showing the default settings of screws B and C as reference marks (See Figure 2).

Do not turn these screws beyond the limits shown. Adjustment(s) beyond the limits are considered BENCHREST / TARGET SHOOTING USE ONLY and not for any use where the firearm will be carried or moved in the loaded condition.

If you desire to convert your trigger from 2 stage to single stage, please visit the Geissele Automatics website at geissele.com/S700Setup and download the Super 700 Trigger Set-Up instructions. These instructions are different from the adjustment instructions above and will instruct the gunsmith on how to set up the different modes of the S700 trigger.

Thank You For Your Purchase.
Contact Geissele Automatics with any questions.

GEISSELE AUTOMATICS • 800 NORTH WALES RD • NORTH WALES, PA 19454
TEL: 610-272-2060 | FAX: 610-272-2069
E-MAIL: INFO@GEISSELE.COM | WEB: WWW.GEISSELE.COM
PATENTS: WWW.GEISSELE.COM/PATENTS
GEISSELE SUPER 700 2 STAGE TRIGGER INSTRUCTIONS VERSION 1 - 9/25/18

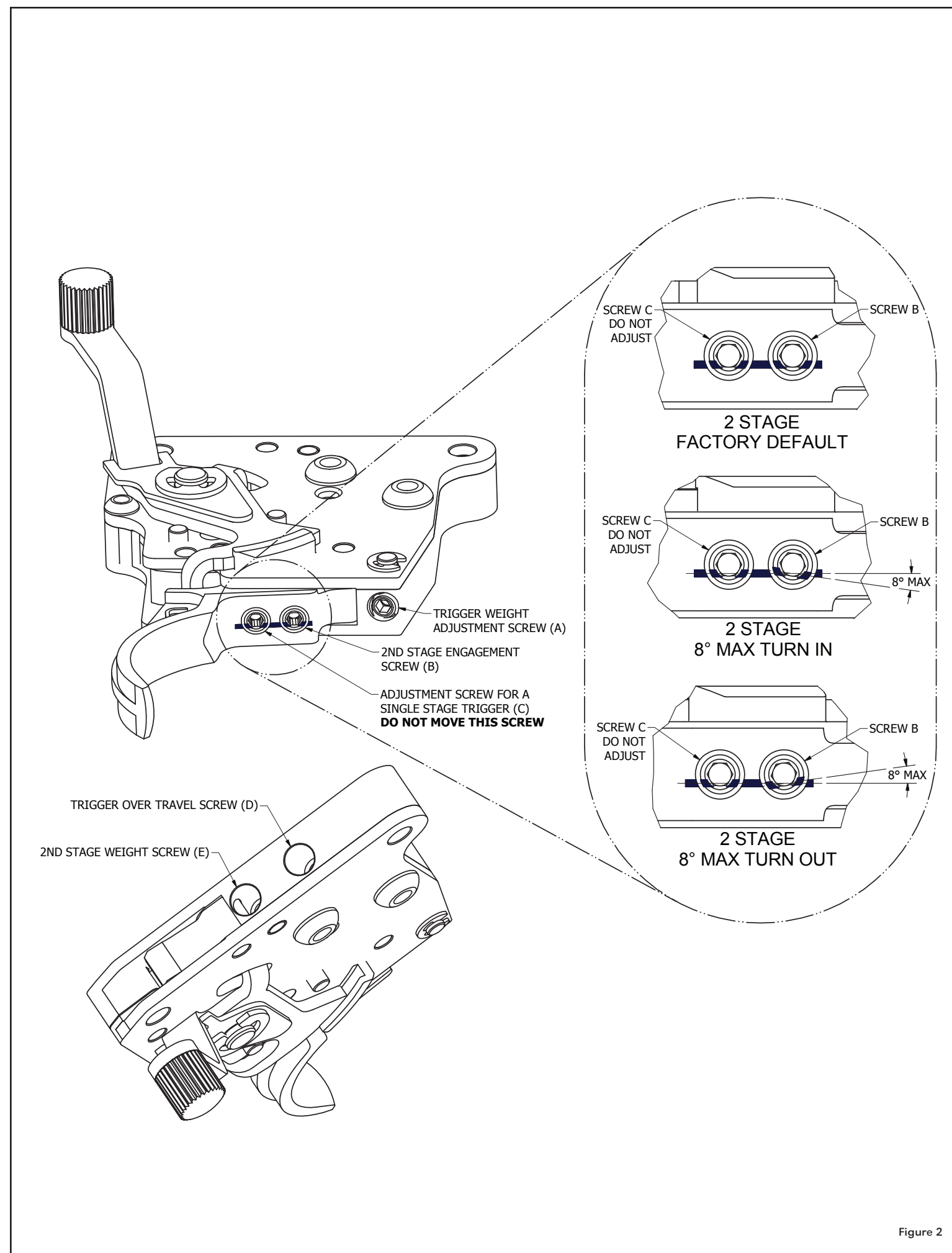


Figure 2