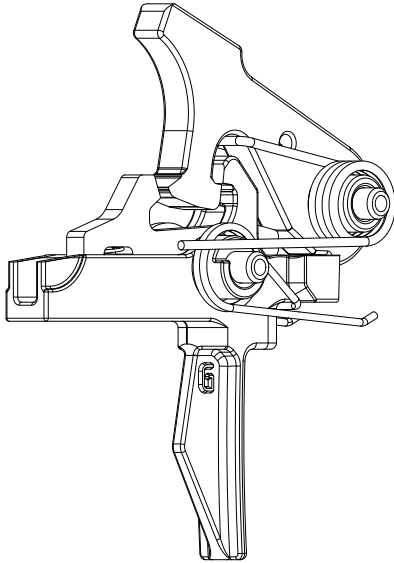


GEISSELE[®]

AUTOMATICS

We Manufacture Confidence[®]



SUPER DYNAMIC SERIES **COMBAT (SD-C) & ENHANCED (SD-E)**

Installation Instructions

READ THIS FIRST

Firearm safety is **YOUR** responsibility. You must memorize and put into practice the 4 Rules of Firearm Safety:

- 1. ASSUME EVERY WEAPON IS LOADED.**
- 2. KEEP YOUR FINGER OFF THE TRIGGER UNTIL YOU ARE READY TO SHOOT.**
- 3. DO NOT LET THE MUZZLE POINT AT ANYTHING YOU ARE NOT WILLING TO DESTROY.**
- 4. KNOW YOUR TARGET AND WHAT IS BEYOND.**

Our Super Dynamic triggers incorporate a unique, flat trigger bow that is patterned after the trigger of an M1911 pistol. The flat bow reduces the perceived pull weight of the trigger and improves the trigger's already outstanding tactile feedback to give the operator outstanding weapon control.

All SD Triggers are rugged, non-adjustable combat triggers with a sear design that provides a wide margin of safety against unintentional discharges, while still giving the operator a sharp, repeatable trigger release. Constructed from precision-machined tool steel, these triggers provide the ultimate combination of precision and reliability.

The SD Trigger will lighten the trigger pull relative to a standard trigger. This lightened trigger pull will make the firearm easier to discharge. You must recognize and accept this fact before installing this trigger. If you do not want a lighter than standard trigger pull or are not willing to accept responsibility for the safety of your firearm, yourself, and those around you, do not install this trigger.

Geissele Automatics recommends installation by a certified gunsmith only

INSTALLATION INSTRUCTIONS

1. Unload rifle and make safe.
2. Remove existing trigger and safety selector. Then clean receiver.
3. Remove the trigger pin from the trigger and replace with the slave pin to hold the disconnecter in place.
4. Install trigger and slave pin into rifle. Align slave pin with receiver pin holes. Insert trigger pin into receiver, through trigger/disconnector, and into receiver on opposite side.
5. Remove hammer pin from hammer. Place a drop of lubricant in the bore of the hammer pivot.
6. Install hammer into receiver with hammer spring legs **on top of the trigger pin**. Insert hammer pin into receiver, through hammer, and into receiver on opposite side.
7. Apply a small amount of lubricant in the following locations as shown on the reverse side this page.
 - a. Each side of the disconnecter above the trigger pin;
 - b. Hammer and trigger sears.
 - c. Face of the disconnecter;
 - d. Hammer tail where it contacts the disconnecter
 - e. Top of each side of the hammer spring where the spring contacts the receiver wall.
8. Check safety operation: With the hammer cocked and the safety selector set to the SAFE position, pull the trigger hard. The hammer should not fall.
9. Check trigger reset: Set safety selector to FIRE. Dry fire weapon and keep trigger held back. Pull charging handle all the way back and release, letting the bolt carrier snap forward. The hammer should not fall. Release trigger. Hammer should be caught by the trigger.

Maintenance of the Geissele SD-3G consists of occasionally placing a drop of lubricant on the locations shown in #7 above. Recommended lubricant is CLP or equivalent; alternatively a high quality grease may be used on the trigger/hammer sears and disconnecter contact surfaces.

When the trigger and lower receiver well become very dirty (such as when firing with a suppressor), it is not always necessary to remove the trigger group for cleaning. Spray down the trigger group with electrical contact cleaner to remove residual oil and dirt. Next, use compressed air to blow off the trigger group and then flush liberally with a light lubricant as CLP or equivalent. Blow off excess lubricant with compressed air and lubricate as noted above.

Thank You For Your Purchase.
Contact Geissele Automatics with any questions.

GEISSELE AUTOMATICS • 800 NORTH WALES RD • NORTH WALES, PA 19454

TEL: 610-272-2060 | FAX: 610-272-2069

E-MAIL: INFO@GEISSELE.COM | [WEB: WWW.GEISSELE.COM](http://WWW.GEISSELE.COM)

PATENTS: WWW.GEISSELE.COM/PATENTS

GEISSELE AUTOMATICS SD-C & SD-E TRIGGER INSTRUCTIONS VERSION 5 - 04/22/15

GEISSELE[®]

AUTOMATICS

SUPER DYNAMIC-COMBAT (SD-C)
SUPER DYNAMIC-ENHANCED (SD-E)
SUPER DYNAMIC 3-GUN (SD-3G)

For the M16/M4/AR15/AR10 weapon family
U.S. Pat. 7,600,338

