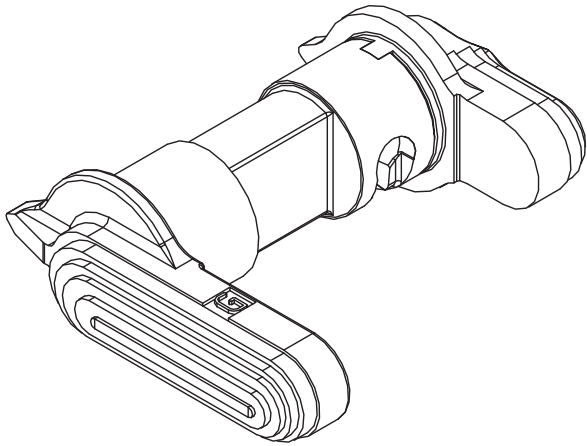


GEISSELE[®]

AUTOMATICS

We Manufacture Confidence[®]



GEISSELE POSI SNAP AMBI SAFETY

Installation Instructions

READ THIS FIRST

Firearm safety is **YOUR** responsibility. You must memorize and put into practice the 4 Rules of Firearm Safety:

1. **ASSUME EVERY WEAPON IS LOADED.**
2. **KEEP YOUR FINGER OFF THE TRIGGER UNTIL YOU ARE READY TO SHOOT.**
3. **DO NOT LET THE MUZZLE POINT AT ANYTHING YOU ARE NOT WILLING TO DESTROY.**
4. **KNOW YOUR TARGET AND WHAT IS BEYOND.**

TOOLS NEEDED

- Large Flat Head Screwdriver (at least 3 1/2" long shaft) or appropriate hex driver for your grip screw if not a flat head
- 3/32 Hex key

PARTS NEEDED

- Safety selector detent spring
- Safety selector detent
- Geissele Posi Snap Ambi Safety Selector body, short arm ambi lever, and ambi lever screw
- Pistol Grip
- Pistol Grip Screw and washer

REMOVAL OF PISTOL GRIP

Follow steps 1 through 3 if you are installing in a complete Lower Receiver. If you are installing in a stripped lower receiver, skip to step 4 in the Installation Instructions

1. Remove the pistol grip if already assembled on the lower receiver. Start by removing the screw and washer inside the grip.
2. Pay special attention while removing the pistol grip from the receiver as there will be a spring and detent located in a hole in the pistol grip and aligned with the detent hole on the receiver located on the bottom, ejection port side of the lower. The detent has a tendency to stick in the hole in the lower and fall out and get lost at inopportune times.
3. Make sure to retain the pistol grip, screw and washer.

PLEASE NOTE if there is a trigger installed in the receiver the hammer will need to be in the cocked position in order to remove or install the selector.

INSTALLATION INSTRUCTIONS

The Geissele Posi Snap Ambi Safety Selector will come with the main body and a smaller ambi lever that will be attached to the other side of the selector with the supplied screw.

4. Remove the small ambi lever from the main selector body using the 3/32 hex key
5. Install the selector into the receiver so that the detent groove on the Posi Snap Selector aligns with the detent hole in the receiver.
6. Place a drop of oil on the detent notches in the selector barrel.
7. Push the selector lever all of the way into the receiver then install the short arm lever by lining it up with the corresponding notch and using the supplied screw with the 3/32 hex key. Apply Loctite 222 Purple if desired to the screw and tighten.
8. Begin to reinstall the grip assembly once the safety selector has had the opposing lever installed. Pay special attention to ensure that the detent and spring are properly aligned or the selector will not operate correctly and you may potentially damage your spring.
9. With the safety detent spring in the pistol grip, and the safety detent in the detent hole in the receiver, line the spring up with the detent hole and push the pistol grip back on. Make sure the spring does not get folded back on itself when pushing the grip into place.
10. Tighten the pistol grip screw back into the receiver until tight. Make sure that if you experience any binding or difficulty screwing the pistol grip screw in, that you check its alignment so as not to cross thread the receiver.
11. With the firearm unloaded, perform a function check to confirm proper installation.

12. While performing the function test, if doing so without the upper receiver attached, leave your thumb lightly on the hammer so that it does not accidentally get released and strike the receiver which may damage your lower receiver.
13. Perform a function check by cocking the hammer back and placing the safety selector in the safe position.
14. Press the trigger, the hammer should not release.

15. Rotate the Posi Snap Safety Selector to **FIRE**. When you now press the trigger the hammer should release.

Thank You For Your Purchase.
Contact Geissele Automatics with any questions.

GEISSELE AUTOMATICS • 800 NORTH WALES RD • NORTH WALES, PA 19454
TEL: 610-272-2060 | FAX: 610-272-2069
E-MAIL: INFO@GEISSELE.COM | WEB: WWW.GEISSELE.COM
PATENTS: WWW.GEISSELE.COM/PATENTS
GEISSELE POSI SNAP AMBI SAFETY INSTRUCTIONS VERSION 1 - 02/06/2019



Loctite is applied at factory on set screw, but if it is ever needed only use Loctite 222 Purple.

