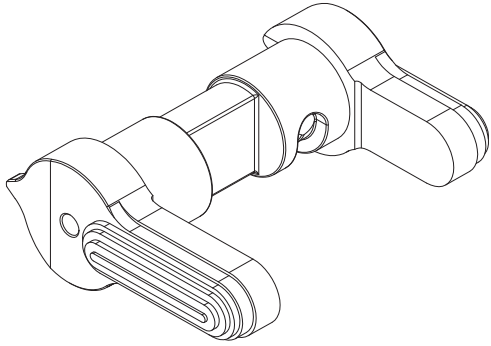


GEISSELE[®]

AUTOMATICS

We Manufacture Confidence[®]



GEISSELE SUPER CONFIGURABLE SAFETY

Installation Instructions

READ THIS FIRST

Firearm safety is **YOUR** responsibility. You must memorize and put into practice the 4 Rules of Firearm Safety:

1. **ASSUME EVERY WEAPON IS LOADED.**
2. **KEEP YOUR FINGER OFF THE TRIGGER UNTIL YOU ARE READY TO SHOOT.**
3. **DO NOT LET THE MUZZLE POINT AT ANYTHING YOU ARE NOT WILLING TO DESTROY.**
4. **KNOW YOUR TARGET AND WHAT IS BEYOND.**

TOOLS NEEDED

- Large Flat Head Screwdriver (at least 3 1/2" long shaft) or appropriate hex driver for your grip screw if not a flat head
- 1/16" small punch or equivalent tool to depress plunger

PARTS NEEDED

- Safety selector detent spring
- Safety selector detent
- Geissele Super Configurable Safety Selector body, short arm ambi lever, long arm ambi lever
- Pistol Grip
- Pistol Grip Screw and washer

REMOVAL OF PISTOL GRIP

Follow steps 1 through 3 if you are installing in a complete Lower Receiver. If you are installing in a stripped lower receiver, skip to step 4 in the Installation Instructions.

1. Remove the pistol grip if already assembled on the lower receiver. Start by removing the screw and washer inside the grip.
2. Pay special attention while removing the pistol grip from the receiver as there will be a spring and detent located in a hole in the pistol grip and aligned with the detent hole on the receiver located on the bottom, ejection port side of the lower. The detent has a tendency to stick in the hole in the lower and fall out and get lost at inopportune times.
3. Make sure to retain the pistol grip, screw and washer.

INSTALLATION INSTRUCTIONS

The Geissele Super Configurable Safety Selector will come with the main body and two ambi levers to be attached to either side of the selector barrel.

4. Remove the small ambi lever from the main selector body by depressing the plunger through small hole in lever, with any tool of adequate size such as a 1/16" punch.
5. Install one lever by lining the opening on the selector lever with the oval-shaped post on either side of the selector barrel. Then, slide it into place while depressing the locking plunger. In order for the lever to slide onto the selector barrel, the plunger in the barrel must be depressed by one of two methods: Using a punch tool, depress the plunger enough for the lever to start sliding overtop, then remove tool pressure and finish sliding lever until plunger grabs in corresponding pocket on underside of lever. Or: With lever aligned properly for installation on barrel, use the triangular point of the lever and apply pressure on front of lever to depress plunger and slide into place all in same motion.
6. Place a drop of oil on the detent notches in the selector.
7. Install the selector into the receiver so that the detent groove on the Super Configurable Safety Selector aligns with the detent hole in the receiver.
8. Push the selector all of the way into the receiver then install the remaining ambi lever in the same fashion as the 1st lever.
9. Begin to reinstall the grip assembly once the safety selector has had the opposing lever installed. Pay special attention to ensure that the detent and spring are properly aligned or the selector will not operate correctly and you may potentially damage your spring.
10. With the safety detent spring in the pistol grip, and the safety detent in the detent hole in the receiver, line the

spring up with the detent hole and push the pistol grip back on. Make sure the spring does not get folded back on itself when pushing the grip into place.

11. Tighten the pistol grip screw back into the receiver until tight. Take special care to avoid cross-threading the pistol grip screw in the receiver; check the alignment of the screw before continuing if you experience any binding.
12. With the firearm unloaded, perform a function check to confirm proper installation.
13. While performing the function test, if doing so without the upper receiver attached, leave your thumb lightly on the hammer so that it does not accidentally get released and strike the receiver which may damage your lower receiver.

14. Perform a function check by cocking the hammer back and placing the safety selector in the safe position.
15. Press the trigger, the hammer should not release.
16. Rotate the Geissele Super Configurable Safety Selector to FIRE. When you now press the trigger the hammer should release.

**Thank You For Your Purchase.
Contact Geissele Automatics with any questions.**

GEISSELE AUTOMATICS • 800 NORTH WALES RD • NORTH WALES, PA 19454
TEL: 610-272-2060 | FAX: 610-272-2069
E-MAIL: SALES@GEISSELE.COM | WEB: WWW.GEISSELE.COM
PATENTS: WWW.GEISSELE.COM/PATENTS
FOR WARRANTY INFORMATION PLEASE VISIT: WWW.GEISSELE.COM/WARRANTY
SUPER CONFIGURABLE SAFETY INSTRUCTIONS VERSION 07/19/2021

