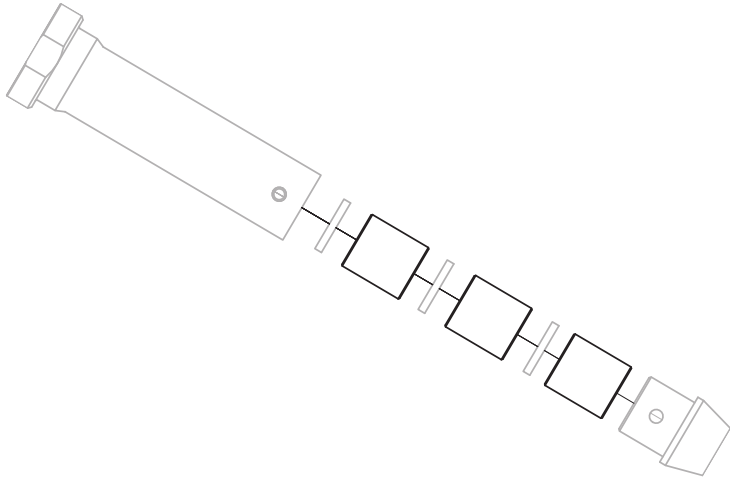


GEISSELE[®]

AUTOMATICS

We Manufacture Confidence[®]



TUNGSTEN BUFFER WEIGHT

Installation Instructions

READ THIS FIRST

Firearm safety is **YOUR** responsibility. You must memorize and put into practice the 4 Rules of Firearm Safety:

1. **ASSUME EVERY WEAPON IS LOADED.**
2. **KEEP YOUR FINGER OFF THE TRIGGER UNTIL YOU ARE READY TO SHOOT.**
3. **DO NOT LET THE MUZZLE POINT AT ANYTHING YOU ARE NOT WILLING TO DESTROY.**
4. **KNOW YOUR TARGET AND WHAT IS BEYOND.**

ADDITIONAL TOOLS REQUIRED:

- V-Block, Die Block
- 3/32" Punch
- Pliers
- Hammer

To change the Geissele Automatics H1 Buffer assembly to the heavier H2 or H3 buffer setup, you will need to disassemble and re-assemble the buffer replacing the steel weights with the correct number of tungsten weights (FIGURE 2).

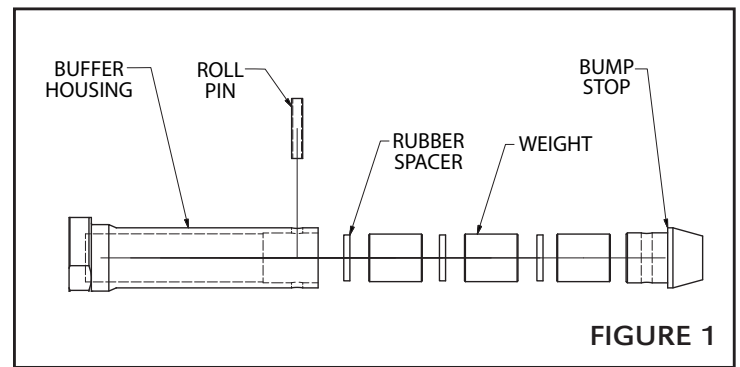


FIGURE 1

INSTALLATION INSTRUCTIONS

1. Place the buffer assembly firmly on a bench block that does not block the roll pin from being driven out.
2. Use a 3/32" punch and carefully tap the roll pin out of the buffer.
3. Using a pair of pliers, slightly twist and remove the rubber cap out of the housing.
4. Re-assembly can begin by installing a rubber spacer in the bottom of the buffer housing then alternate with a weight and spacer (FIGURE 1). The correct number of tungsten weights should be used to achieve the desired buffer configuration (FIGURE 2).
5. Replace the bump stop making sure the roll pin hole is aligned to the hole in the buffer housing. The rubber cap can be tapped in place or pressed between vise jaws.
6. Place the buffer assembly on a secure surface and tap the roll pin back through the buffer housing making sure it also captures the bump stop.

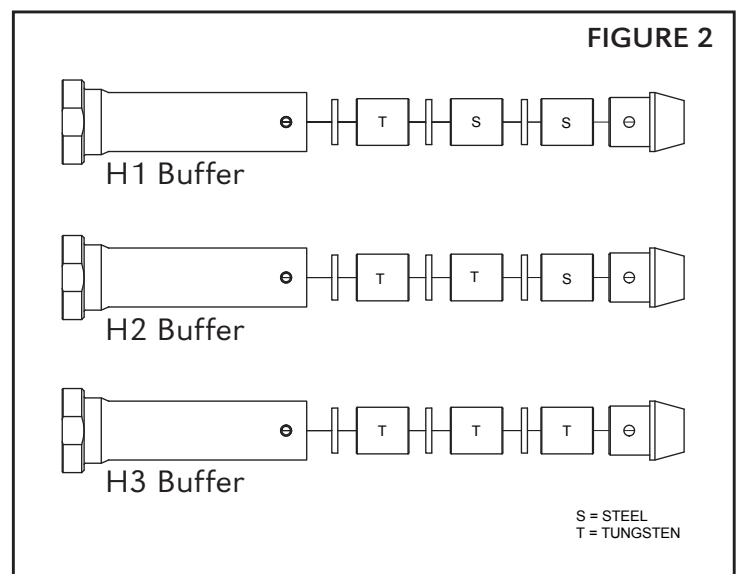


FIGURE 2

Thank You For Your Purchase.
Contact Geissele Automatics with any questions.

GEISSELE AUTOMATICS • 800 NORTH WALES RD • NORTH WALES, PA 19454
TEL: 610-272-2060 | FAX: 610-272-2069
E-MAIL: INFO@GEISSELE.COM | WEB: WWW.GEISSELE.COM